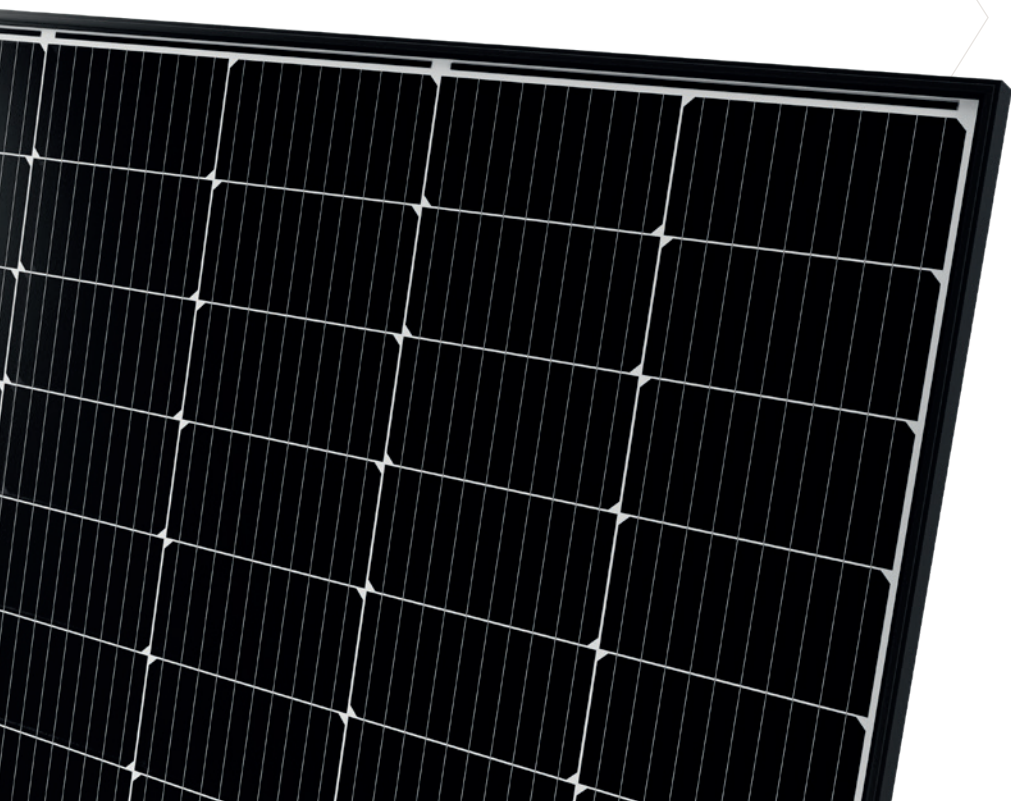





Intelligent
PHOTOVOLTAIC
CARPORTS

Vision

We supply energy generation solutions for sealed-up surfaces which require no costly additional construction work. In this way, we create urban **photovoltaic power facilities** that reduce heat radiating from existing asphalt surfaces, a critical key to climate change reversal.



A person in a dark suit is shown from the chest down, holding a pen in their right hand and a tablet in their left. The person is looking at the tablet. In the foreground, a solar panel is visible, showing its grid pattern. The background is a plain, light-colored wall.

**As our vision turns into reality,
it becomes your contribution
to the energy transition**

Our solution

Our modular system consisting of steel pipes and concrete offers a cost-efficient way to cover almost the entire surface of already existing vehicle parking areas, eliminating planning lead times almost entirely. Depending on local conditions and customer requirements, customized solutions can be implemented as well.

Benefits

- **Sustainable energy production for local power grids**
- **One step closer to energy autarky**
- **Enhanced customer comfort**
- **Reduced heat radiation from asphalt surfaces**
- **Productive use of already sealed-up surfaces**
- **Cost-efficient compliance with official requirements**
- **Short installation times**

An aerial photograph of a parking lot. A large section of the parking area is covered by a grid of solar panels. Two cars are parked in the lot: a white car on the left and a dark blue car on the right. White lines mark the parking spaces. The text "We focus on 2 variants" is centered in the image.

We focus on 2 variants

01

Design X.

Innovation with a high degree of flexibility.

By combining steel tubes with concrete ballast, we create cantilevered carports that allow easy parking while also complying with all statics requirements.

02

Basis T.

Superior price-performance ratio.

The use of concrete-filled steel pipes permits minimalist slim designs. At the same time, all statics requirements are met without any need for additional excavation or foundation work.

01

Design X.

Innovation with a high degree of flexibility. 2-vehicle carport

Facts

Dimensions: 5 x 5 m (+ 5, + 5, etc.)

Max. PV rating: e.Classic M HC 390 - 4.68 kWp

e.Classic M HC HD 390 - 4.68 kWp

e.Prime M HC 385 - 4.62 kWp

Design: shaped tubes, concrete ballast, trapezoidal sheet metal

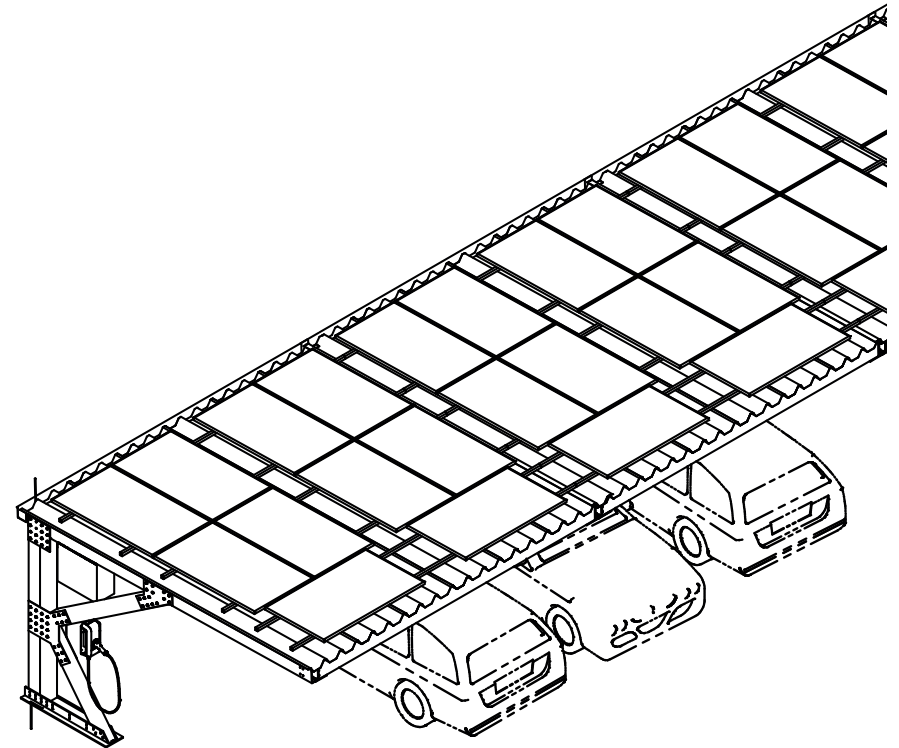
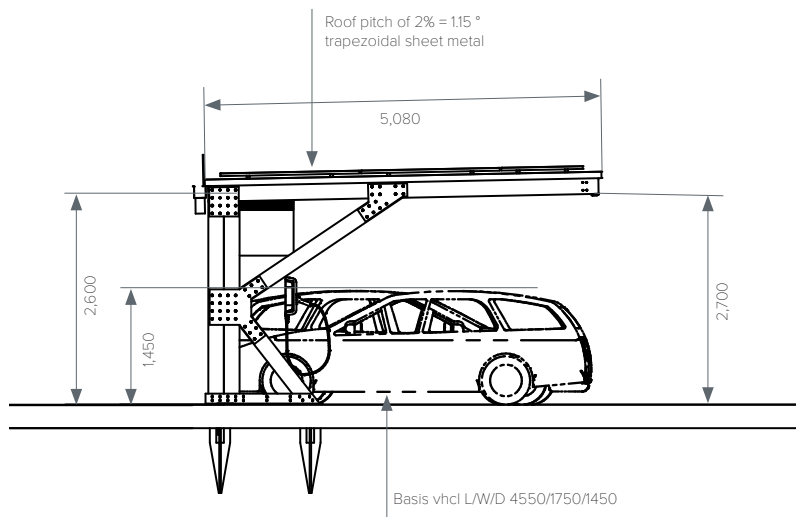
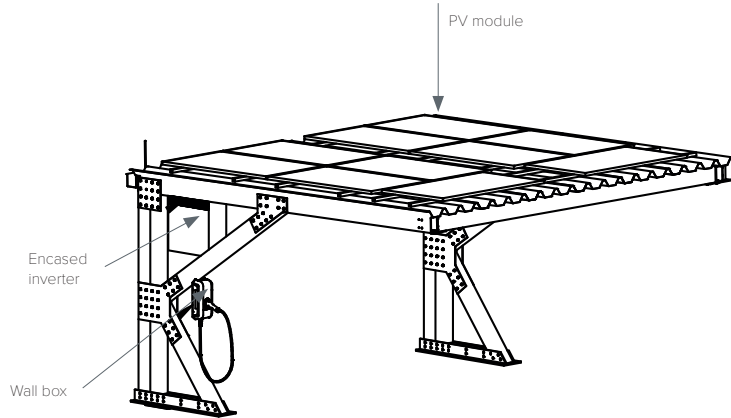
Total weight: 2,700 kg

Load-bearing capacity: zone 1 up to 1.65 kN/m², zone 2 up to 3.10 kN/m²

Only available with a ground anchor



01 Design X. 2-vehicle carport



01

Design X.

Innovation with a high degree of flexibility. 4-vehicle carport

Facts

Dimensions: 10 x 5 m (+ 5, + 5, etc.)

Max. PV rating: e.Classic M HC 390 - 9.75 kWp

e.Classic M HC HD 390 - 9.75 kWp

e.Prime M HC 385 - 9.62 kWp

Design: shaped tubes, concrete ballast, trapezoidal sheet metal

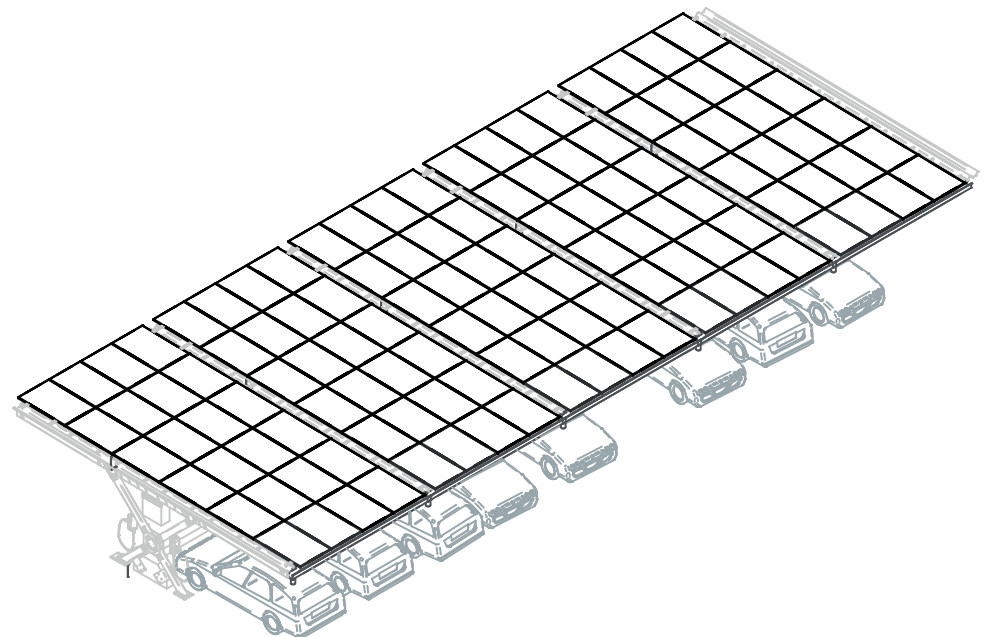
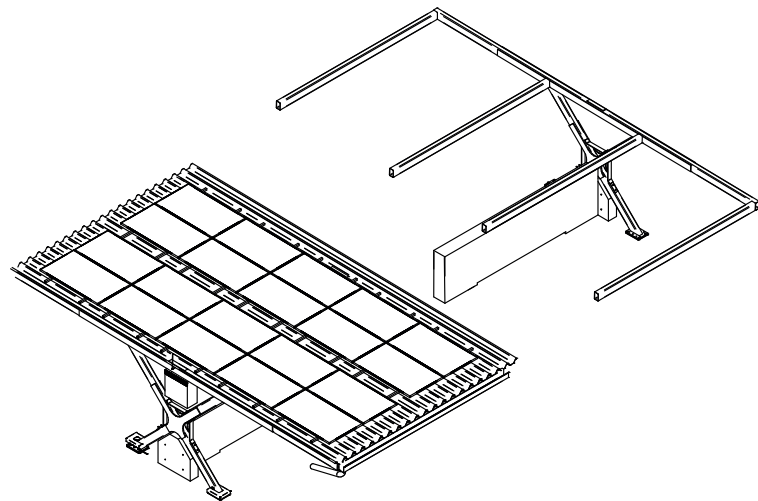
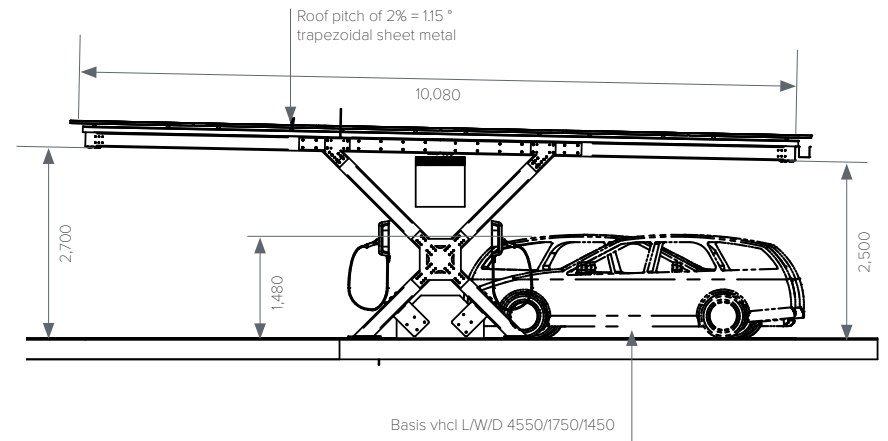
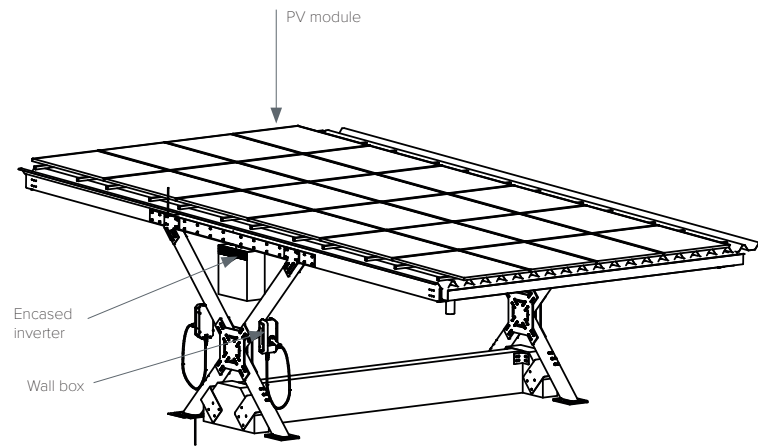
Total weight: 10,500 kg

Load-bearing capacity: zone 1 up to 1.65 kN/m², zone 2 up to 3.10 kN/m²

Available options: ballast or foundation (ground anchor)



01 Design X. 4-vehicle carport



02 Basis T.

Superior price-performance ratio. 2-vehicle carport

Facts

Dimensions: 5 x 5 m (+ 5, + 5, etc.)

Max. PV rating: e.Classic M HC 390 - 4.68 kWp

e.Classic M HC HD 390 - 4.68 kWp

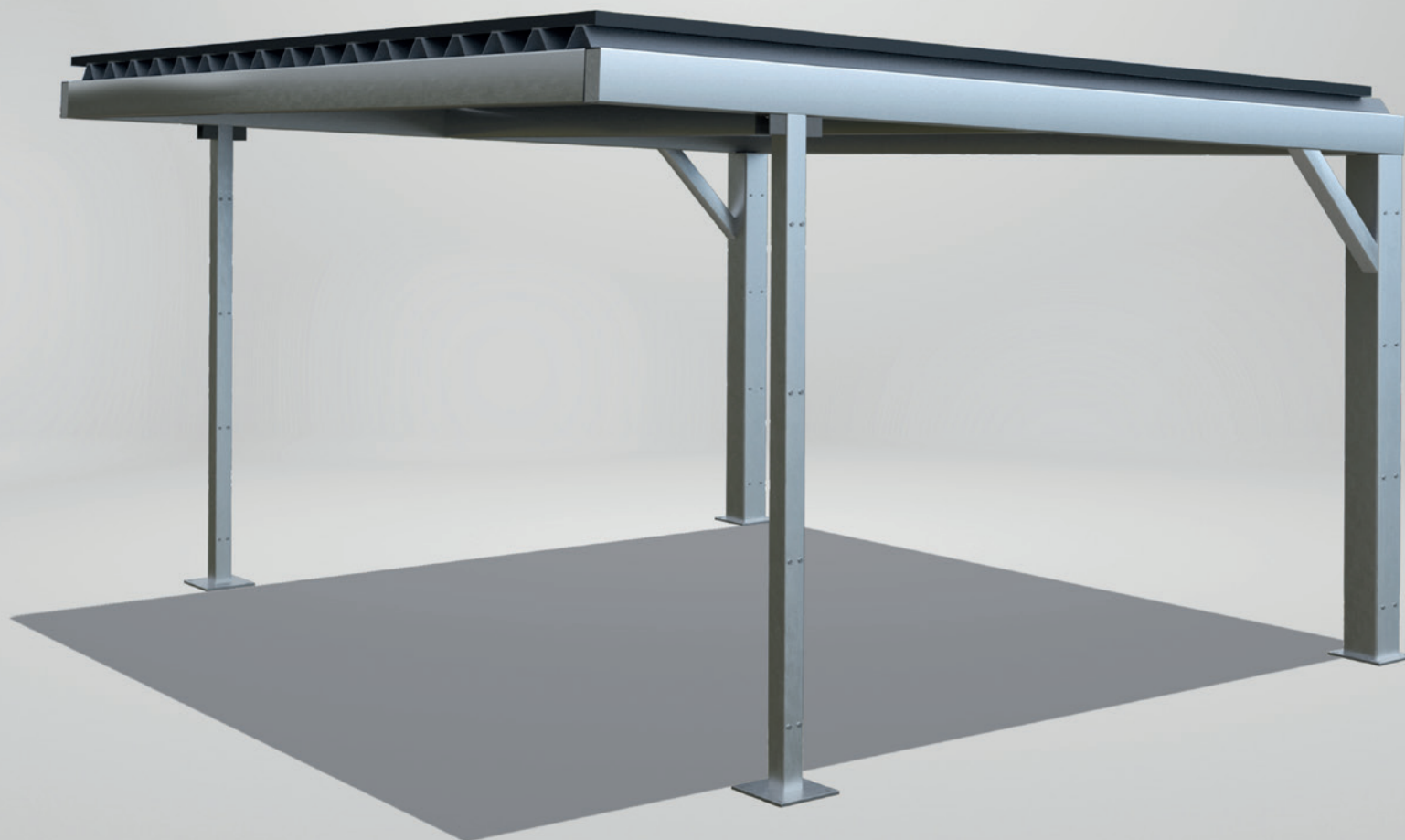
e.Prime M HC 385 - 4.62 kWp

Design: shaped tubes, concrete, trapezoidal sheet metal

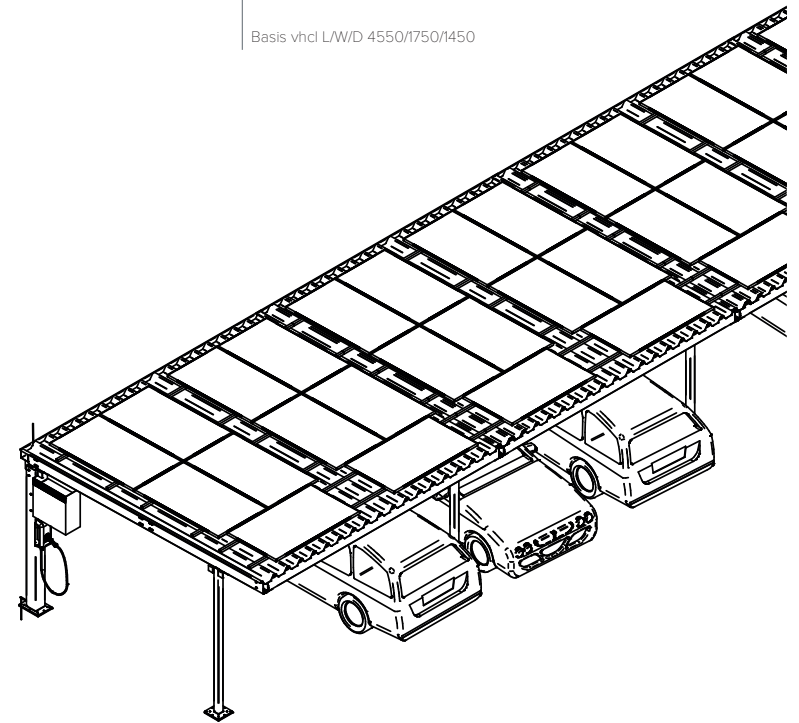
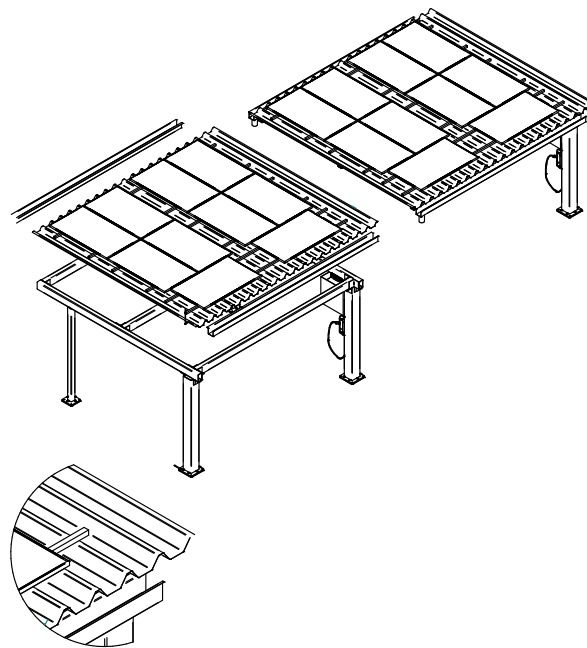
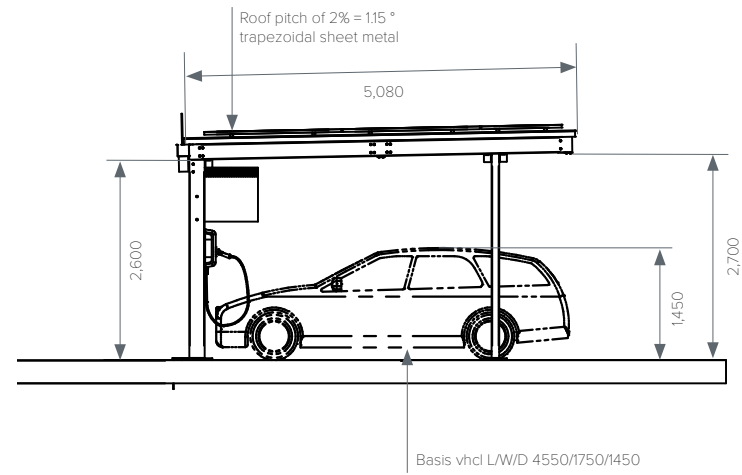
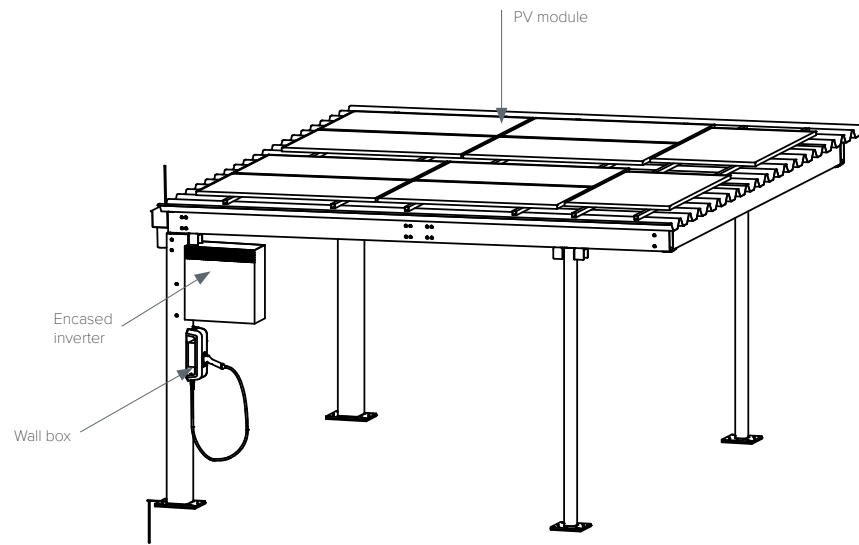
Total weight: 3,000 kg to 3,500 kg

Load-bearing capacity: zone 1 up to 1.65 kN/m², zone 2 up to 3.10 kN/m², zone 3 up to 5.05 kN/m²

Available options: ballast or foundation (ground anchor)



02 Basis T. 2-vehicle carport



02

Basis T.

Superior price-performance ratio. 4-vehicle carport

Facts

Dimensions: 10 x 5 m (+ 5, + 5, etc.)

Max. PV rating: e.Classic M HC 390 - 9.75 kWp

e.Classic M HC HD 390 - 9.75 kWp

e.Prime M HC 385 - 9.62 kWp

Design: shaped tubes, concrete, trapezoidal sheet metal

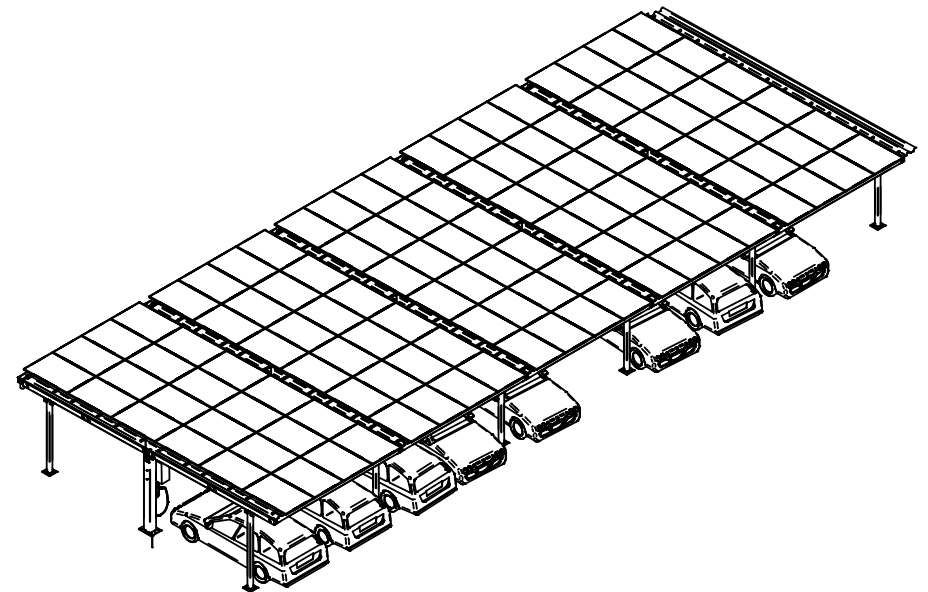
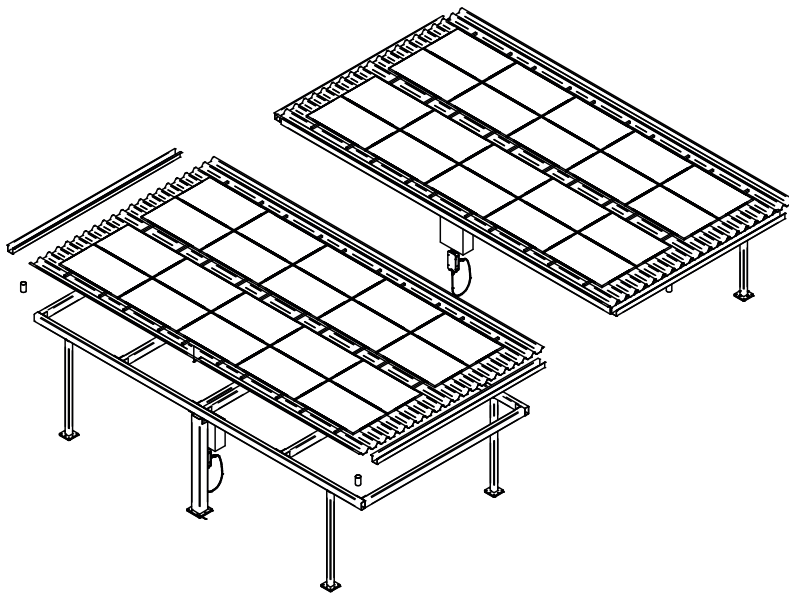
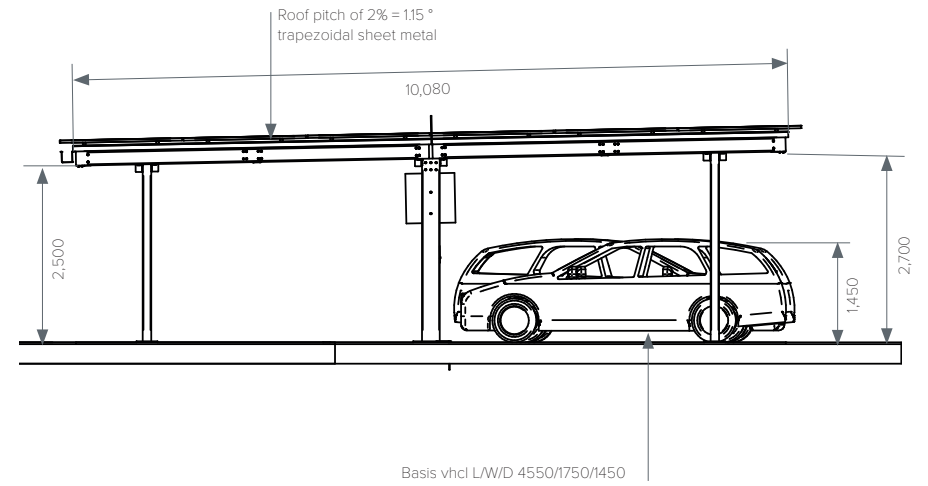
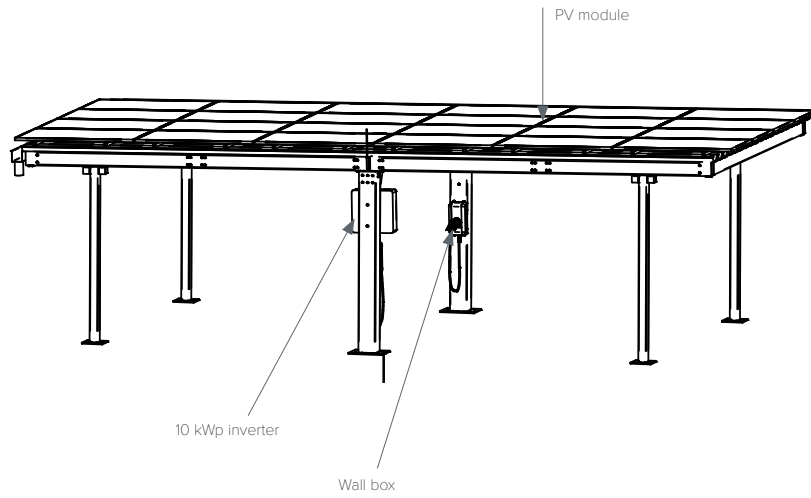
Total weight: 5,500 kg to 6,200 kg

Load-bearing capacity: zone 1 up to 1.65 kN/m², zone 2 up to 3.10 kN/m²,
zone 3 up to 5.05 kN/m²

Available options: ballast or foundation (ground anchor)



02 Basis T. 4-vehicle carport



Photovoltaic Modules from Austria Österreich



Innovative, powerful and sustainable

At its Liebenfels site in Carinthia, Energetica Photovoltaic Industries manufactures **high-performance photovoltaic modules** which are among the most technically advanced in the industry worldwide. With a nominal production capacity of 350 megawatts per year, our Liebenfels plant is currently one of the most modern and efficient production facilities for PV modules in Europe.

High performance guaranteed

Energetica relies on its own proprietary patents such as **e.STAK** (a revolutionary photovoltaic module frame in combination with an environmentally friendly and weatherproof packaging system) and **e.ISP** (a shading management system integrated into the modules) as well as highly efficient **12-busbar half-cell technology**.

All our **manufacturing processes are climate-friendly**. A large portion of the energy required for our production comes from a **2.6 MW PV power station located on our own premises** and equipped exclusively with Energetica PV modules manufactured on site.

All manufacturing is carried out exclusively in Austria. At present, **Energetica** has over 100 employees.

Powerful partners, powerful product

An exceptional product requires exceptional development work involving extensive expertise, funds, technical knowledge, a reliable production facility, a professional sales department and ultimately a lot of team spirit.



sunxport powered by **energetica**

Sales

order@sunxport.energy
Phone: +43 4215 93056-100

Coordination / Implementation Support / Engineering

Patrick Zechner
Phone: +43 664 13 06 787
patrick.zechner@sunxport.energy



Energetica Industries GmbH
Energieplatz 1
A-9556 Liebenfels
+43 4215 93056-100
order@energetica.at
www.energetica.at